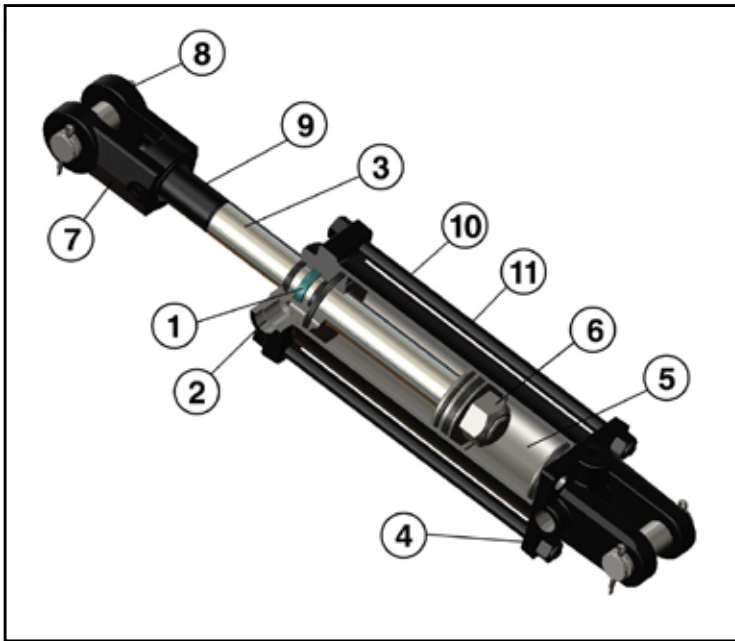


LH3000 Tie Rod Cylinder Series



The LYNX LH 3000 tie rod cylinder - the next generation in a heavy duty NPT ported double acting cylinder. The LH line offers 21st century sealing technology in a robust cylinder design, perfect for today's demanding applications at an economical price.

With 3,000 psi working pressure and 6,000 psi proof load, the LH is equipped to handle today's higher pressure agricultural tractor and tillage applications as well as demanding industrial applications. Pins and cotters are included for easy installation.



1. 3000 psi sealing kits for extended service and leak free performance under the most demanding applications
2. Available with inline NPT or ORB porting provides greater assembly flexibility with configurable porting options
3. High strength, hard chrome-plated shaft provides extended cylinder life in harsh applications
4. High grade ductile iron clevis and rod caps provide increased bearing surface to handle high shock and side load applications
5. Precision-finished skived and burnished heavy wall steel tubing for extended seal and cylinder life
6. Heavy-duty, torqued and self-locking piston nut holds piston firm under high-cycle loading
7. Heavy Duty Ductile Iron Rod Clevis
8. High-Tensile Steel, Zinc Plated Pins & Cotter Pin Retainers
9. Threaded Shaft (on ASAE cylinders)
10. High Tensile Steel Tie-Rods
11. High gloss black paint finish

See following pages for part numbers and product information



August 2019

LH3000 Tie Rod Cylinder Series

Part Number for NPT Ported Cylinders	Model	Bore	Stroke	Rod Dia.	Ship Wt. (lbs.)	Retracted Pin To Pin Length	Pins	Allowable Pressure (psi) (*Max column load pressure at full extension)
ASAE - 3000 psi 8" Stroke cylinders								
HYD662282	20LH08-112 ASAE	2.0	8.0	1.125	15.9	20.25	1.00	3000
HYD662283	25LH08-112 ASAE	2.5	8.0	1.125	18.8	20.25	1.00	3000
HYD662284	30LH08-125 ASAE	3.0	8.0	1.250	26.1	20.25	1.00	3000
HYD662285	35LH08-125 ASAE	3.5	8.0	1.250	33.4	20.25	1.00	3000
HYD662286	40LH08-150 ASAE	4.0	8.0	1.500	41.4	20.25	1.00	3000
HYD662287	50LH08-200 ASAE	5.0	8.0	2.000	73.2	20.25	1.25	3000
ASAE - 3000 psi 16" Stroke cylinders								
HYD662288	30LH16-150 ASAE	3.0	16.0	1.500	38.4	31.50	1.25	3000
HYD662289	35LH16-150 ASAE	3.5	16.0	1.500	47.7	31.50	1.25	3000
HYD662290	40LH16-175 ASAE	4.0	16.0	1.750	58.3	31.50	1.25	3000
HYD662291	50LH16-200 ASAE	5.0	16.0	2.000	96.0	31.50	1.25	3000
2 in Bore 3000 psi cylinders								
HYD662292	20LH06-112	2.0	6.0	1.125	13.9	16.25	1.00	3000
HYD662293	20LH08-112	2.0	8.0	1.125	15.4	18.25	1.00	3000
HYD662294	20LH10-112	2.0	10.0	1.125	16.9	20.25	1.00	3000
HYD662295	20LH12-112	2.0	12.0	1.125	18.3	22.25	1.00	3000
HYD662296	20LH14-112	2.0	14.0	1.125	19.8	24.25	1.00	3000
HYD662297	20LH16-112	2.0	16.0	1.125	21.3	26.25	1.00	3000
HYD662298	20LH18-112	2.0	18.0	1.125	22.7	28.25	1.00	3000
HYD662299	20LH20-112	2.0	20.0	1.125	24.3	30.25	1.00	2930*
HYD662300	20LH24-112	2.0	24.0	1.125	27.3	34.25	1.00	2180*
HYD662301	20LH30-112	2.0	30.0	1.125	31.8	40.25	1.00	1499*
HYD662302	20LH36-112	2.0	36.0	1.125	36.2	46.25	1.00	1093*
HYD662303	20LH48-112	2.0	48.0	1.125	45.2	58.25	1.00	655 *
2.5 in Bore 3000 psi cylinders								
HYD662304	25LH06-112	2.5	6.0	1.125	16.3	16.25	1.00	3000
HYD662305	25LH08-112	2.5	8.0	1.125	18.1	18.25	1.00	3000
HYD662306	25LH10-112	2.5	10.0	1.125	19.9	20.25	1.00	3000
HYD662307	25LH12-112	2.5	12.0	1.125	21.6	22.25	1.00	3000
HYD662308	25LH14-112	2.5	14.0	1.125	23.4	24.25	1.00	3000
HYD662309	25LH16-125	2.5	16.0	1.250	25.2	26.25	1.00	3000
HYD662310	25LH18-125	2.5	18.0	1.250	27.0	28.25	1.00	3000
HYD662311	25LH20-125	2.5	20.0	1.250	28.8	30.25	1.00	2858*
HYD662312	25LH24-125	2.5	24.0	1.250	32.3	34.25	1.00	2127*
HYD662313	25LH30-125	2.5	30.0	1.250	37.7	40.25	1.00	1462*
HYD662314	25LH36-125	2.5	36.0	1.250	43.0	46.25	1.00	1067*

LH3000 Tie Rod Cylinder Series

Part Number for NPT Ported Cylinders	Model	Bore	Stroke	Rod Dia.	Ship Wt. (lbs.)	Retracted Pin To Pin Length	Pins	Allowable Pressure (psi) (*Max column load pressure at full extension)
3 in Bore 3000 psi cylinders								
HYD662316	30LH06-125	3.0	6.0	1.250	23.3	16.25	1.00	3000
HYD662317	30LH08-125	3.0	8.0	1.250	25.4	18.25	1.00	3000
HYD662318	30LH10-125	3.0	10.0	1.250	27.6	20.25	1.00	3000
HYD662319	30LH12-125	3.0	12.0	1.250	29.7	22.25	1.00	3000
HYD662320	30LH14-125	3.0	14.0	1.250	31.9	24.25	1.00	3000
HYD662321	30LH16-150	3.0	16.0	1.500	36.4	26.25	1.00	3000
HYD662322	30LH18-150	3.0	18.0	1.500	38.9	28.25	1.00	3000
HYD662323	30LH20-150	3.0	20.0	1.500	41.3	30.25	1.00	3000
HYD662324	30LH24-150	3.0	24.0	1.500	46.2	34.25	1.00	3000
HYD662325	30LH30-150	3.0	30.0	1.500	53.5	40.25	1.00	2106*
HYD662326	30LH36-150	3.0	36.0	1.500	60.9	46.25	1.00	1536*
3.5 in Bore 3000 psi cylinders								
HYD662328	35LH06-125	3.5	6.0	1.250	29.8	16.25	1.00	3000
HYD662329	35LH08-125	3.5	8.0	1.250	32.5	18.25	1.00	3000
HYD662330	35LH10-125	3.5	10.0	1.250	35.1	20.25	1.00	3000
HYD662331	35LH12-125	3.5	12.0	1.250	37.8	22.25	1.00	3000
HYD662332	35LH14-150	3.5	14.0	1.500	42.6	24.25	1.00	3000
HYD662333	35LH16-150	3.5	16.0	1.500	45.6	26.25	1.00	3000
HYD662334	35LH18-150	3.5	18.0	1.500	48.6	28.25	1.00	3000
HYD662336	35LH24-150	3.5	24.0	1.500	57.5	34.25	1.00	2250*
HYD662337	35LH30-150	3.5	30.0	1.500	66.4	40.25	1.00	1547*
HYD662338	35LH36-150	3.5	36.0	1.500	75.3	46.25	1.00	1128*
4 in Bore 3000 psi cylinders								
HYD662340	40LH06-150	4.0	6.0	1.500	37.1	16.25	1.00	3000
HYD662341	40LH08-150	4.0	8.0	1.500	40.4	18.25	1.00	3000
HYD662342	40LH10-150	4.0	10.0	1.500	43.7	20.25	1.00	3000
HYD662343	40LH12-150	4.0	12.0	1.500	47.0	22.25	1.00	3000
HYD662344	40LH14-150	4.0	14.0	1.500	50.2	24.25	1.00	3000
HYD662345	40LH16-175	4.0	16.0	1.750	56.4	26.25	1.00	3000
HYD662346	40LH18-175	4.0	18.0	1.750	60.1	28.25	1.00	3000
HYD662347	40LH20-175	4.0	20.0	1.750	63.7	30.25	1.00	3000
HYD662348	40LH24-150	4.0	24.0	1.500	66.6	34.25	1.00	1723*
HYD662349	40LH24-175	4.0	24.0	1.750	71.0	34.25	1.00	3000
HYD662351	40LH30-200	4.0	30.0	2.000	88.1	40.25	1.00	3000
HYD662352	40LH36-200	4.0	36.0	2.000	100.3	46.25	1.00	2731*
HYD662353	40LH48-200	4.0	48.0	2.000	124.5	58.25	1.00	1636*

LH3000 Tie Rod Cylinder Series

Part Number for NPT Ported Cylinders	Model	Bore	Stroke	Rod Dia.	Ship Wt. (lbs.)	Retracted Pin To Pin Length	Pins	Allowable Pressure (psi) (*Max column load pressure at full extension)
5 in Bore 3000 psi cylinders								
HYD662354	50LH10-200	5.0	10.0	2.000	77.0	22.25	1.25	3000
HYD662355	50LH12-200	5.0	12.0	2.000	78.4	24.25	1.25	3000
HYD662356	50LH14-200	5.0	14.0	2.000	87.0	26.25	1.25	3000
HYD662357	50LH16-200	5.0	16.0	2.000	92.0	28.25	1.25	3000
HYD662358	50LH18-200	5.0	18.0	2.000	97.0	30.25	1.25	3000
HYD662359	50LH20-200	5.0	20.0	2.000	102.0	32.25	1.25	3000
HYD662360	50LH24-200	5.0	24.0	2.000	111.9	36.25	1.25	3000
HYD662361	50LH30-200	5.0	30.0	2.000	126.8	42.25	1.25	2265*
HYD662362	50LH36-200	5.0	36.0	2.000	124.7	48.25	1.25	1666*
HYD662363	50LH48-200	5.0	48.0	2.000	136.8	60.25	1.25	1009*

* Cylinder Column Load - Column strength loading normally affects all types of longer stroke cylinders. Affected cylinders should not be operated beyond these limits as the cylinder rod may buckle or bend causing failure. Stroke limitation applies to compressive loading only. Applications that fall outside the noted parameters, contact Westward Parts for further assistance.

